



## The SUPER SIMPLE SHELF

This is a surprisingly simple building project for kids ages 4+ with adult help and supervision. The final shelf will be sturdy and a great place to store puzzles, books, toys, shoes, etc.!



### MATERIALS:

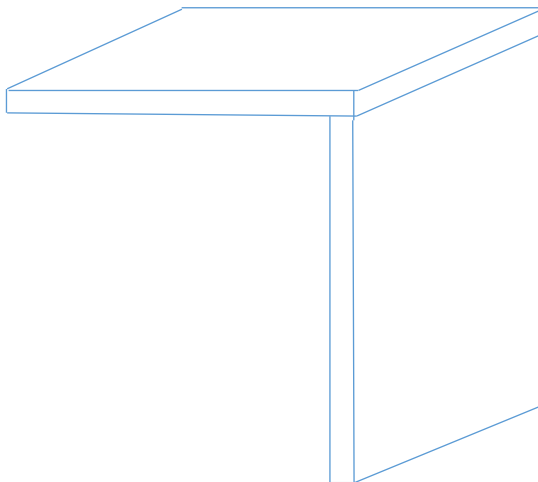
- ONE board that is 12 inches wide, 6 feet long and 1 inch thick from Home Depot. (\$15.97 each)  
Note: While the store will say it's 1 inch thick, the board actually measures  $\frac{3}{4}$ " thick.  
Also, while it says 12" wide. Sometimes it measures 11" wide.
- Have an employee cut the 6 foot long board into 2 pieces that are 16" long and 2 pieces that are 19" long. (You might have a small piece of wood leftover.)

16"	16"	19"	19"	
-----	-----	-----	-----	--

- A box of 1  $\frac{1}{2}$ " finishing nails (\$1.95 each)
- A light weight hammer (\$4.73 each)

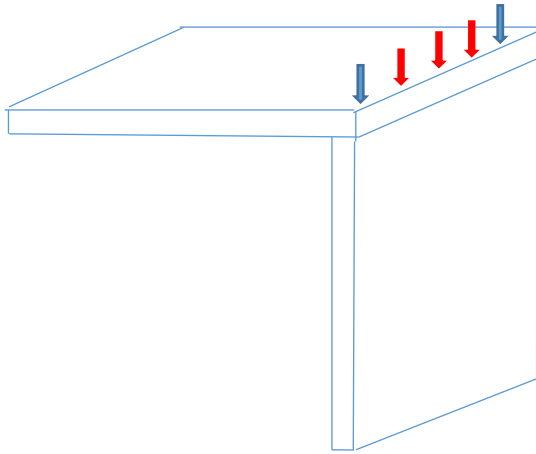
### INSTRUCTIONS:

1. The first step is the hardest step. Take one 12" x 19" piece and stand it up vertically. Take one 12" by 16" piece and place it horizontally so that the edge rests on top of the 1<sup>st</sup> board. Have the child hold the top board steadily while the adult hammers in the first nails (see step #2).

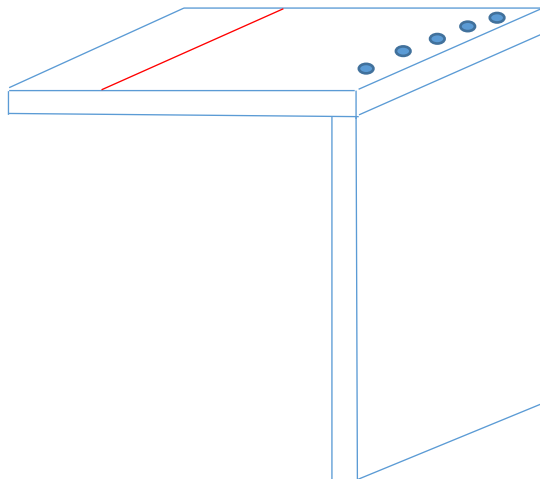




2. The adult hammers in one nail on each corner (blue). Once the first two nails are in, the adult can hold the top board steadily while the child hammers in the remaining nails along the edge (red.) The child can add 5-10 nails.

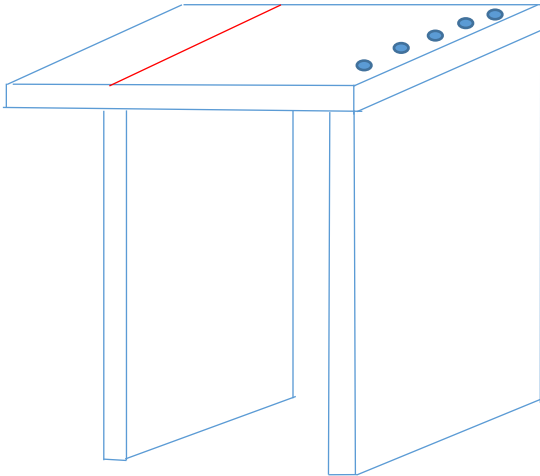


3. Measure 3 inches from the left edge of the horizontal board.

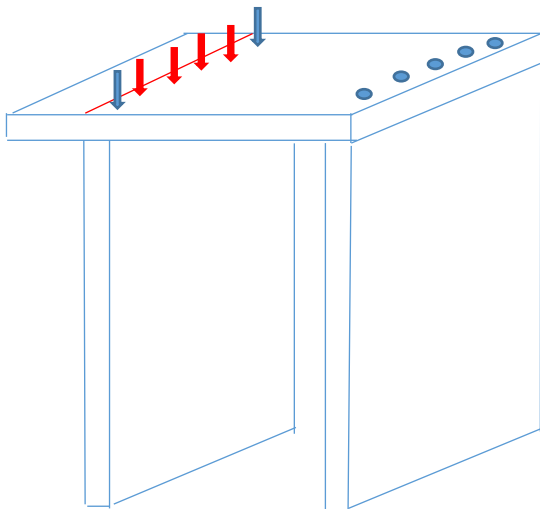




4. Place the second 12"x 19" board under the horizontal board so that it is 3" from the left edge.

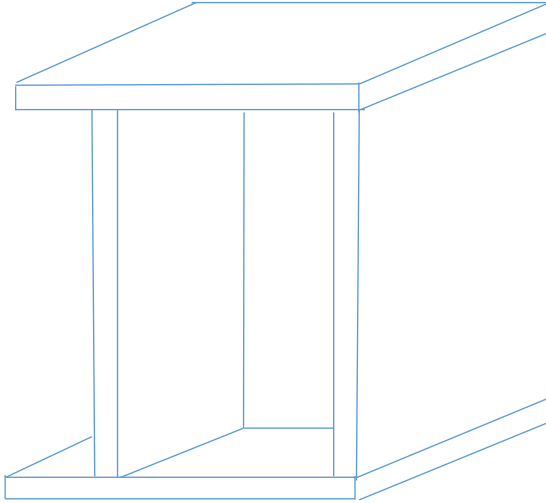


5. Hammer in one nail at each end of the board (blue). Have the child hammer in 5-10 more nails between the first two nails (red).

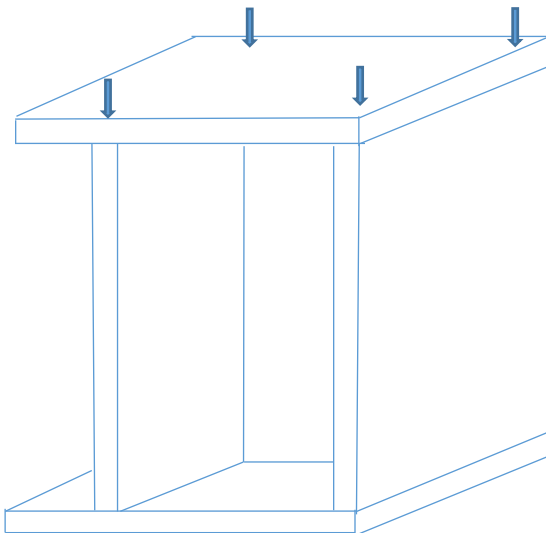




6. Turn the shelf upside down. Rest the second 12"x16" piece on top of the two vertical pieces.

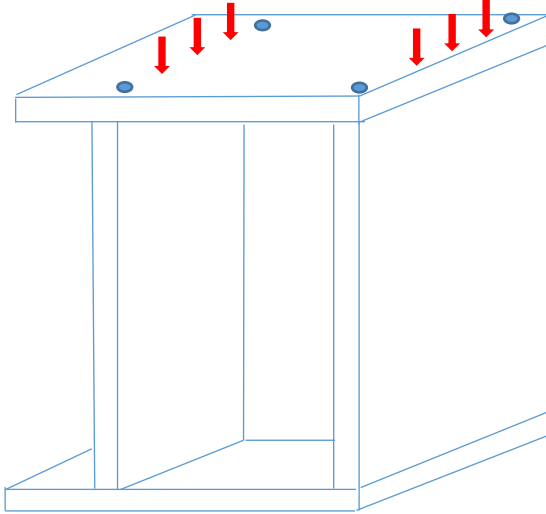


7. Hammer one nail in each corner above the right board. Hammer one nail into each end of the left board.





8. Have the child hammer in 5-10 more nails in between each of the blue nails.



9. Done! The child can leave the shelf as it or paint it.

